



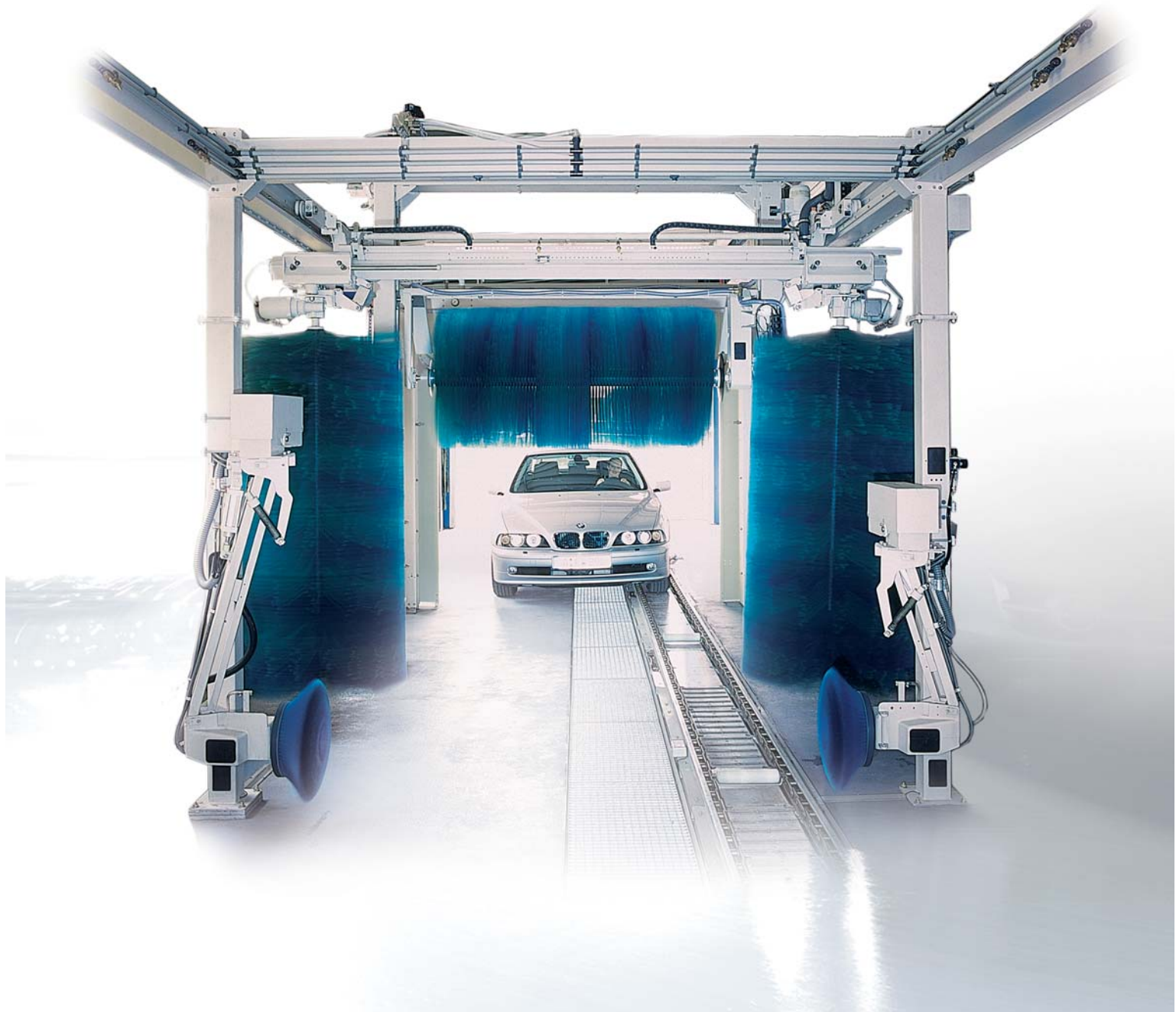
→ The Compact One

SoftLine Linear SL30



 **WashTec**

*The compact
car wash with
linear technology.*

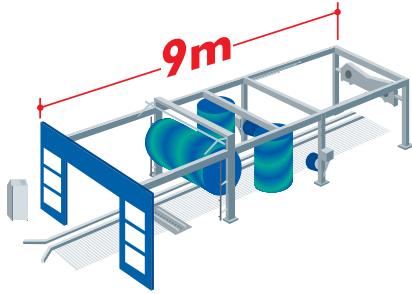


SoftLine Linear SL30

The SoftLine Linear SL30 offers you a gateway to the car wash business in small spaces.

- Ideal for over 1500 washes per month
- Linear technology for optimum washing results in critical areas on the vehicle
- Advanced technology in a small space
- Integral drier for excellent drying efficiency

Compact concept for an optimum result.



↑ A compact, 9-metre-long car wash including all options.

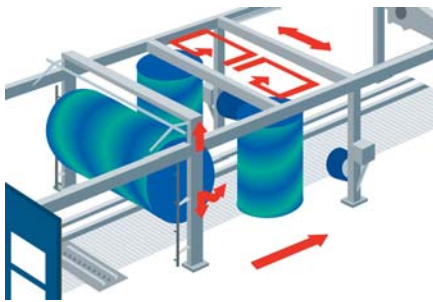


↑ Spotlessly clean vehicles thanks to pneumatic after-swivelling of the roof brush and contour-tracking operation of the side brushes.



↑ The integral blower-dryer cuts energy costs thanks to an effective air flow and optimised efficiency.

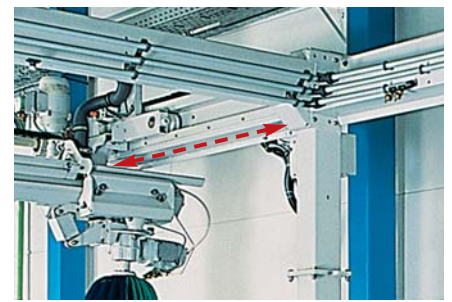
Patented linear technology for superior washing performance.



↑ Side and top washers travel along with the vehicle at the front and rear. The brushes are active for longer and achieve better cleaning results.

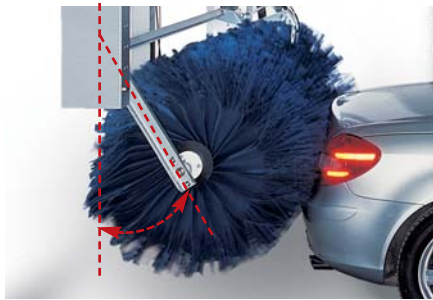


↑ Longer brush dwell times on the vehicle intensify the cleaning effect.



↑ Faster brush movement: The top and side brushes accelerate when they swivel into the rear of the vehicle and maintain cleaning contact with the car.

Innovative solutions from WashTec.



↑ Pneumatically-controlled after-swivelling extends the time spent by the roof brush on the vehicle's rear end. Swivel range around 300 mm.



↑ Effective pre-washes: high-pressure arcs with fixed side and contour-tracking roof nozzles.

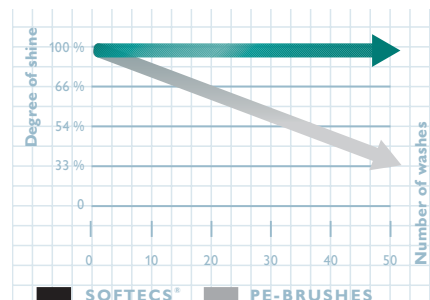


↑ Side dryer. Two individual side nozzles provide more intensive drying of the vehicle's sides and rear.

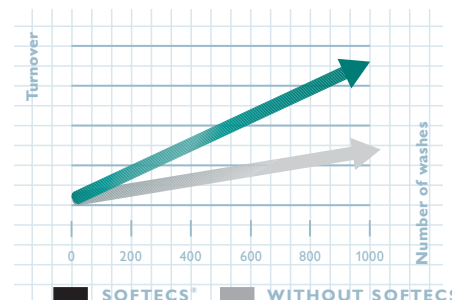
SofTecs® – Reap the benefits of technology and innovation.



↑ SofTecs® will help you to win over new customers from hand washes, for example.



↑ SofTecs® washes gently without wear. This maintains the shine and convinces even the most demanding of customers.



↑ SofTecs® generates additional revenue – average prices are higher due to additional cost of wash.

Technical advantages that your business will profit from.

Entrance gantry and conveyor belt



1 The vehicle measuring device and the chemical spraying unit are installed in the entrance gantry.



2 With a conveyor belt with a total length of 12.94 m and a speed of 4.5 m/min, you can wash around 35 vehicles per hour – a profitable number in an economical distance.

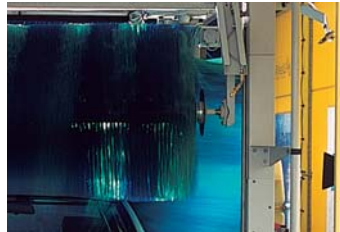


3 Entry aid without a pit. Rotating roller brackets help your customers to drive in and keep your costs down as there are no additional costs to dig a pit. Collision and access safeguards are provided for safety.

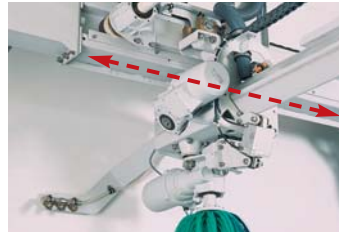
Three-Brush Station



4 The brush station with one roof brush and two linear side brushes washes perfectly in a small space. Travel distance and insertion depth are controlled electronically. Economical factors include electrical switching elements without wear and fully sealed motors.

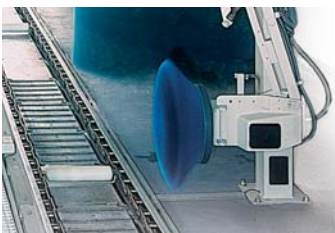


5 Pneumatically controlled swivelling of the roof brush prolongs its action on the rear of the vehicle. Movement range: approx. 300 mm. Maintenance-free flat belts are used to lift and lower the brush.

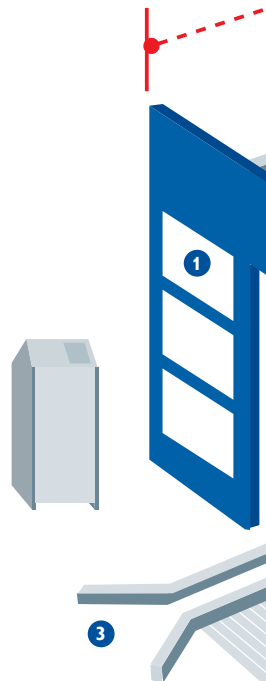


6 The side brushes travel linearly a distance of 850 mm along the front and rear of the vehicle by means of direct drive using maintenance-free frictional wheels. Further advantages include central overlap on the front and rear, the change in the direction of rotation at the rear, and slanting of the brushes by pneumatic cylinders for optimum contour-following.

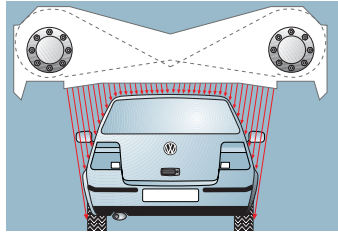
Oscillating wheel washers



7 Large brush diameters for ever larger wheel rims and a more intensive washing of the dirtier front wheels with perfect application of shampoo water guarantee excellent wash results.

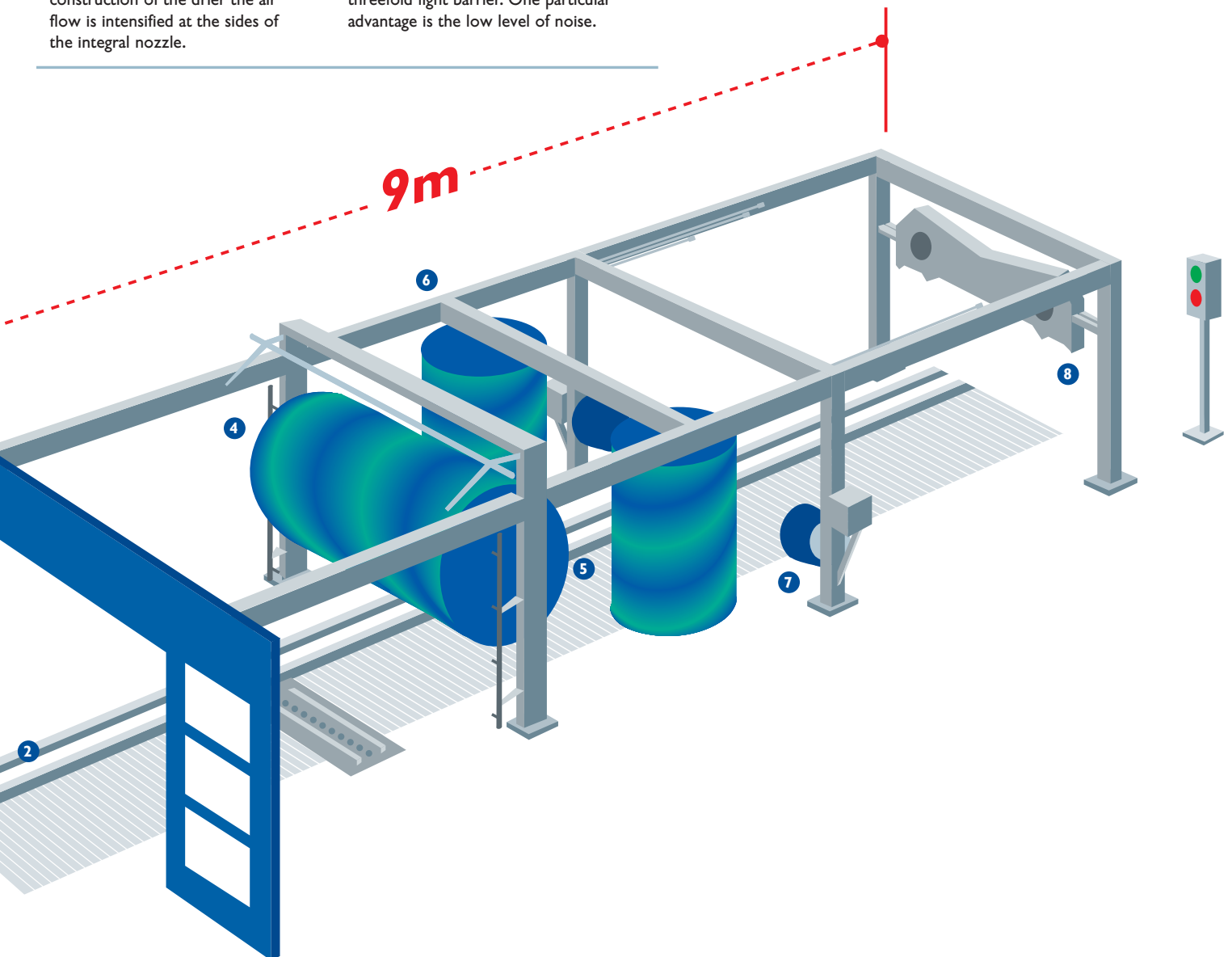


Integral dryers



8 The integral fan dryer is used in a car wash tunnel for the first time. It saves energy costs thanks to its effective air flow and optimised efficiency. Due to the special construction of the drier the air flow is intensified at the sides of the integral nozzle.

Water droplets are blown effectively down the vehicle as fast as possible. Lift and lowering is provided by maintenance-free flat belts and controlled by a threefold light barrier. One particular advantage is the low level of noise.



Your options for *EVEN MORE BUSINESS.*

Gentle prewashing – for the ideal wash result.



OUR TIP: Integrate prewashes into all wash programmes and thereby increase your average wash price.

The high-pressure arc is equipped with fixed side and contour-tracking roof nozzles.

- When cleaning heavily-soiled vehicles or when SofTecs® is used, the use of prewashing is essential.
- Gentle loosening thanks to a foam prewash makes the rinsing away of dirt particles easier.
- After loosening of the large dirt particles, high-pressure rinsing is the next logical step.

SofTecs® – the test winner.



This revolutionary material, made from foamed PE, gives a thorough clean and is particularly gentle.

- Ideal for washing new vehicles and vehicles with dark paintwork.
- Test winner in the ADAC car wash test.

Professional underbody washing – an argument to keep the value up.



→ Prevent corrosion and preserve the value of the vehicle. Underbody washing is essential for many customers especially in winter. It removes residues of salt and dirt that can cause rust and can thus really help to maintain the value of the vehicle.

- Attract this large number of potential customers with the optional underbody wash facility. It is installed below ground and is also designed for a 4 kW pump.

Customer-friendly exit lights – green for safety.



The free-standing traffic light tells your customer when he can leave the facility.

- Uncertainty or loss of time due to safety stops can thus be fully avoided.

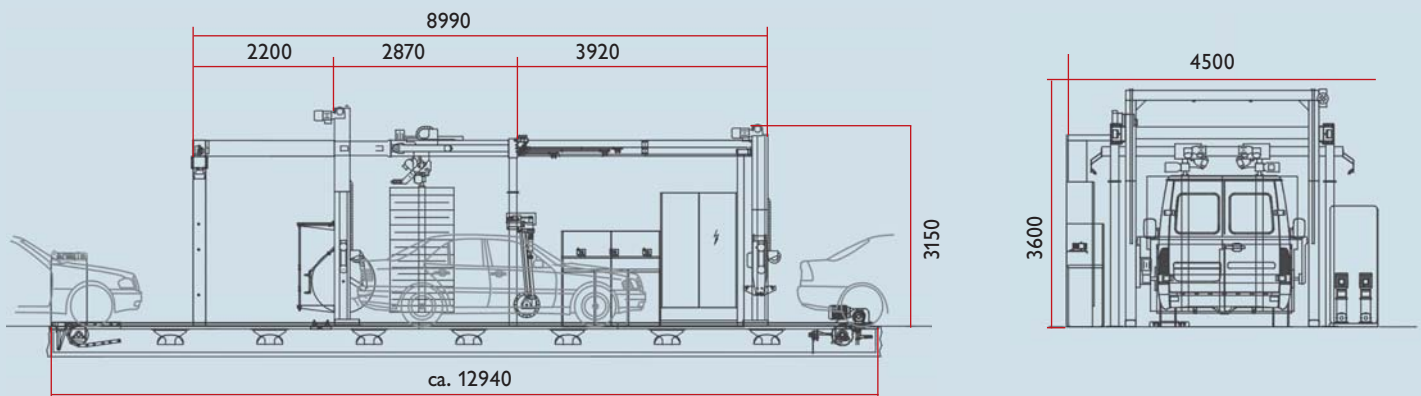
SoftLine Linear SL30

SoftLine Linear SL30

Car wash with post-swivelling roof roller

| | |
|--|------------------------|
| Washing capacity | approx. 35 vehicles/h |
| Conveyor belt speed | 4,5 m/min |
| Overall height | Max. 3448 mm |
| Overall width | Max. 4500 mm |
| Overall length (with operating station) | Max. 12935 mm |
| Drive-through height⁽¹⁾ | 2250 mm ⁽²⁾ |
| Drive-through width | 2160 mm |

(1) Including immersion depth of rollers with SofTecs® and textile 2200 mm
 (2) Including immersion depth of rollers with SofTecs® and textile 2200 mm



Mechanical Data

| | | |
|-----------------------------|---------------------------------------|------------------------------------|
| Conveyor belt length | 11380 mm without high-pressure gantry | 12935 mm with high-pressure gantry |
| Conveyor belt width | 320 mm | - |
| Side brush travel | approx. 850 mm | - |
| Side brush control | linear | - |
| Swing range of roof brush | approx. 300 mm | - |
| Roof brush control | pneumatic, swinging | - |
| Swing range of wheel washer | approx. 300 mm | - |

Electrical Data

| | | | | | |
|-----------------|-------|-----------------|---------------|---------------|------|
| Rated power | 32 kW | Rated voltage | 400 V; 3/N/PE | Rated current | 57 A |
| Rated frequency | 50 Hz | Protection type | IP 54 | - | - |

Air consumption

6 litres/vehicle

Water consumption

| | |
|---------------------------------|-----------|
| Pre-spraying gantry | 34 l/min |
| High-pressure station | 110 l/min |
| Underbody washing | 170 l/min |
| Brush station | 50 l/min |
| Wheel washer | 28 l/min |
| Rinsing spray | - |
| Spray for chemical drying agent | - |
| Spray for wax | - |

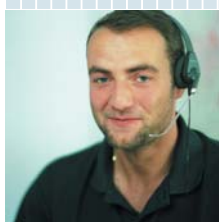
Process water

| |
|-----------|
| 34 l/min |
| 110 l/min |
| 170 l/min |
| 50 l/min |
| 28 l/min |
| - |
| - |
| - |

Fresh water

| |
|----------|
| - |
| - |
| - |
| - |
| - |
| 20 l/min |
| 20 l/min |
| 20 l/min |

The "World of WashTec" has everything for your success.



- **Comprehensive range:** The right solution for your washing business can always be found.
 - **Roll-over car washes** for low, medium and high washing volumes
 - **Conveyor tunnel systems** with modular design for all sizes and all requirements
 - **Commercial vehicle washes** for washing companies and in-house requirements
 - **Self-service washing equipment** with modular design for all needs and different location sizes
 - **Water treatment** – chemical-free and environmentally friendly
- **Rapid service** 250 engineers in the field throughout Germany – **always in your neighbourhood.**
- **Customized financing plans:** We will promote your business at attractive conditions.
- **Reliable experience:** Innovative car washing technology for more than 40 years. **More than 2 million cars are cleaned in WashTec washing facilities every day.**
- **Value for money services:**
 - **Site analysis** for optimum sizing of your business
 - **Cost-effectiveness calculations** help with your planning
 - **Sales training for staff** increases revenue
- **Tested quality** EN ISO 9001, 14001 certification – for your safety.